

ROB

76438 X, S OR B

MEETS ADA CODE



One Piece Barrier-Free Shower
High Gloss Gelcoat Finish

FEATURES

• 76438 Rob

Shower module shall be additionally reinforced with O.S.B. All units have an anti-skid floor treatment.

The unit shall be installed in a pit 1 $\frac{3}{4}$ " deep so the finished floor will be level with the top of the threshold.

The unit shall have nominal outside dimensions of 64" x 38 $\frac{1}{8}$ " and nominal inside dimensions of 60" x 36". Shimming is necessary. It is recommended that a floor drain at or near the entrance to the shower be included.

The unit is made of sanitary grade high gloss polyester gelcoat with reinforced composite matrix.

NOTES

- All units shall have anti-skid floor treatment to meet performance requirements of ASTM F-462-78.
- Units conform to ANSI A-117.1 and ANSI Z-124.2; the shower also complies with the guidelines issued by ADA, US. Architectural and Transportation Barriers Compliance Board (A & T.B.C.B.) and with most city, state and national standards for barrier free, accessible shower facilities for the handicapped.
- Additional back reinforcement is added to provide code complying structural integrity and are sealed from the back side.
- On Model 76438S the factory supplied components to be included are one stainless steel wrap around grab bar and a fold up seat with white phenolic bench.
- On Model 76438B the factory supplied components to be included are three stainless steel grab bars, no seat.
- Curtain rod and shower curtain available. See option for price.

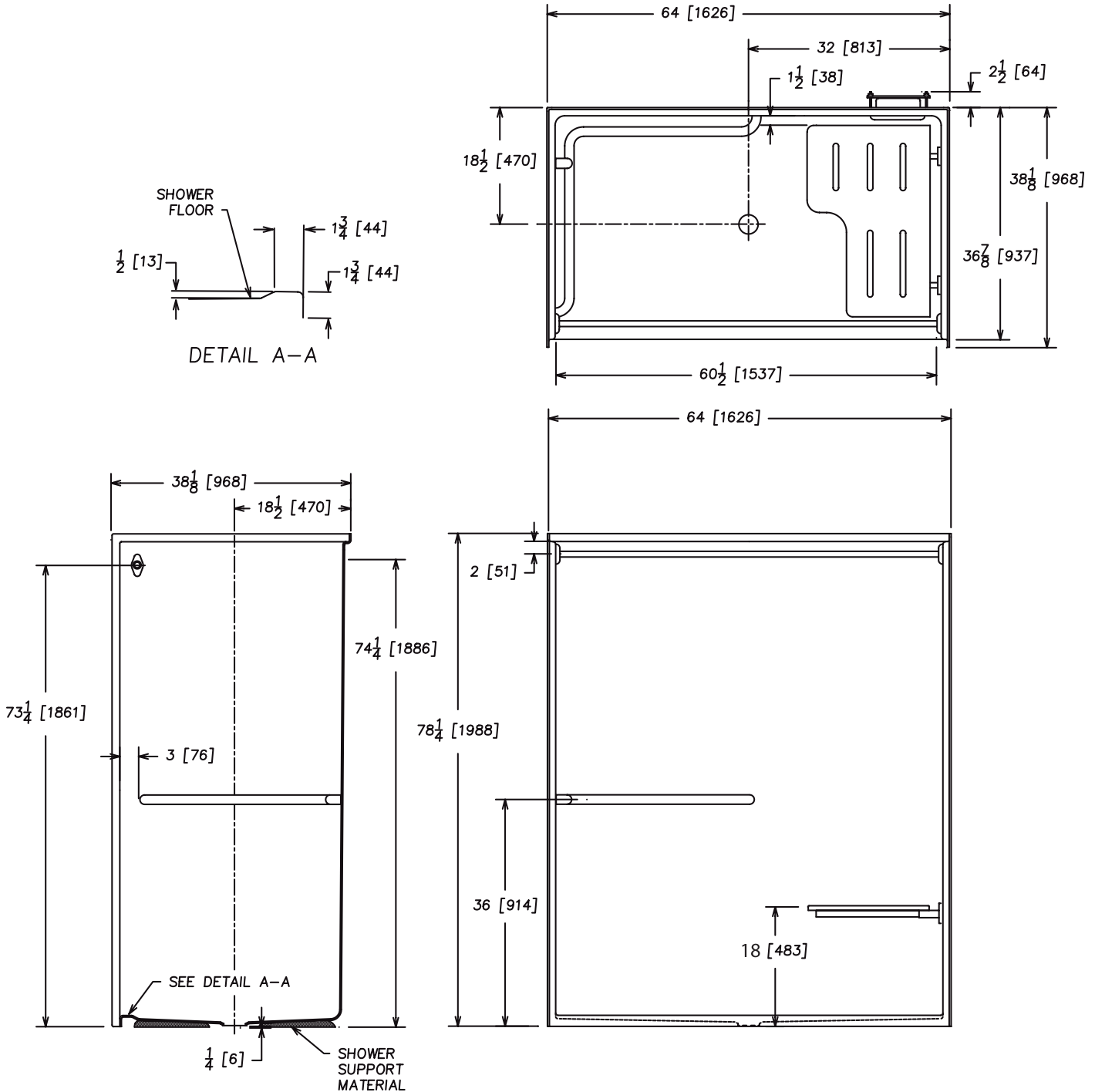


BAYMONT
B A T H W A R E

ROB

One Piece Barrier-Free Shower
High Gloss Gelcoat Finish

76438 X, S OR B



IMPORTANT: Roughing-in dimensions may vary 1/2" and are subject to change or cancellation without prior notice. No responsibility is assumed for use of superseded or voided leaflets.

BAYMONT
BATHWARE